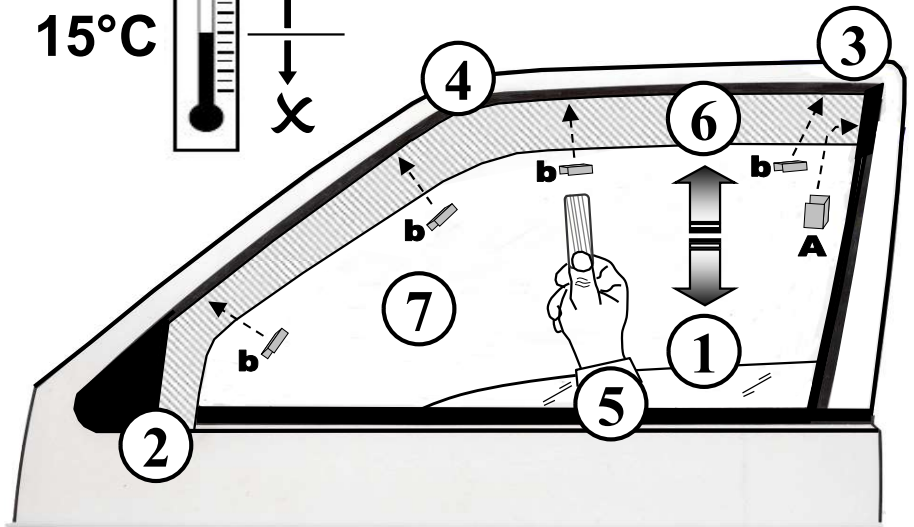
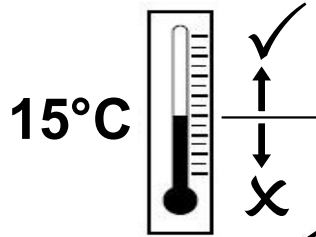
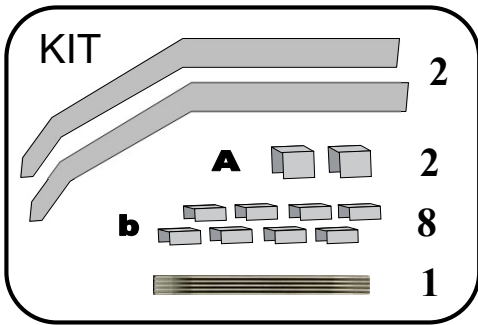
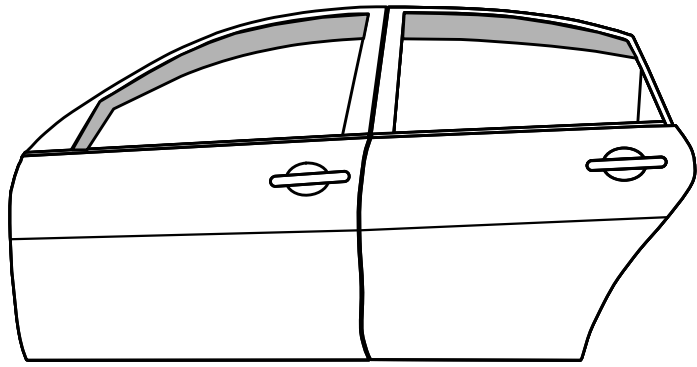


dr 6.0 5p. '22>



COD. 17.073

